



Your Water. Perfected.

Let us

Perfect
your water and

Maximize
your peace of mind.

ESD2702

ECOWATER 2700 SERIES WATER SOFTENERS



The Latest Technology for Water Treatment


- 1 Patented Electronics Digital Demand Module**
Sophisticated, yet easy-to-use electronics capture historical usage patterns to predict future needs for precise regenerations.
Time Keeper
Permanent program memory with capacitor-backed time retention. Maintains time for at least 6 hours in case of power loss.
- 2 Multi-Wrap Fiberglass Reinforced Resin Tank**
Durable fiberglass-wrapped tank liner, doesn't deteriorate, rust, or corrode.
- 3 Self-Cleaning Distributors**
Distributors exhibit excellent flow rates and are cleaned automatically by preventing clogging.
- 4 Brine Valve**
Controls water flow in and out of salt tank. Features automatic shut-off to prevent overfilling.
- 5 Bypass Valve (optional)**
Brass-free and lead-free bypass valve lets you manually bypass the system.

Energy Efficient Power Supply

Simplifies installation, maintenance and reduces electrical hazards.

Barium and Radium Reduction, and Low Lead Content

This softener has been tested and certified by NSF International against NSF/ANSI Standard 44 for the reduction of Barium and Radium 226/228, hardness reduction and efficiency and NSF/ANSI 372 for low lead content.

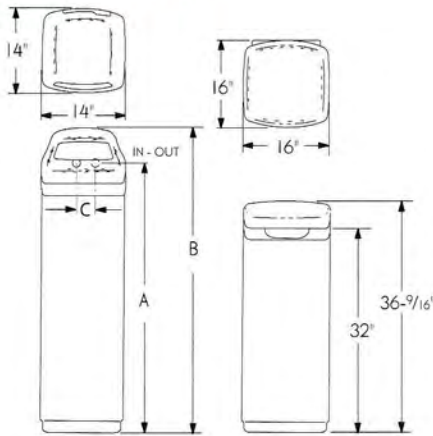
 Designed, Engineered &
Assembled in the U.S.A.

ecowater.com

ESD2702

ECOWATER 2702 SERIES WATER SOFTENERS

DIMENSIONS



	ESD2702 R30	ESD2702 R39
Nominal Resin Tank Size	8" Diam. x 40"	10" Diam. x 47"
A	41 ⁵ / ₈ "	49 ³ / ₄ "
B	48 ³ / ₄ "	56 ⁵ / ₈ "
C	3 ³ / ₈ "	3 ³ / ₄ "

SPECIFICATIONS

Efficiency (gr./lb. @ min. lb. salt dose)

Hardness Capacity (gr. @ max. lb. salt dose)

Certified Flow Rate (gpm @ psi)

Intermittent Flow Rate (gpm @ psi)¹

Intermittent Flow Rate (gpm @ psi)¹

Amount of Resin (lbs.)

Maximum Recommended Water Hardness (gpg @ 500 gpd water usage)

Maximum Clear Water Iron (ppm-Fe)²

Approximate Water Used Each Regeneration (gal.)³

Salt Storage Capacity (lbs.)

Supply Water Pressure Limits (psi)⁴

Supply Water Temperature Limits (°F/°C)

Ambient Temperature Range (°F/°C)

Plumbing Connection Provided (inches)

Electrical Requirement, 120V, 50/60Hz, (24V DC, 500 mA, power supply included)

ESD2702R30

5,070 @ 2.4

30,600 @ 12.6

7.2 @ 15

7.2 @ 15

11 @ 30

41

60

8

31

300

20-125

40-120 / 4-49

35-150 / 2-66

³/₄ and 1

ESD2702R39

5,030 @ 2.4

40,200 @ 15.4

7 @ 6.2

12.5 @ 15

19.1 @ 30

59

80

11

36

300

20-125

40-120 / 4-49

35-150 / 2-66

1

¹Intermittent flow rate does not represent the maximum service flow rate used for determining the softener's rated capacity and efficiency. Continuous operation at flow rates greater than the certified flow rate may affect capacity and efficiency performance. The validity of these flow rates is verified by NSF. ²Increased amounts of clear water iron can reduce softeners efficiency. Refer to owner's manual for details. Wisconsin requires additional treatment if water supply contains greater than 5 ppm clear water iron. ³When operated at 35 psi water pressure. ⁴Maximum pressure for Canadian use is 7.0 Kg/cm².



Your Water. Perfected.

